

6

5

4

3

2

1

D

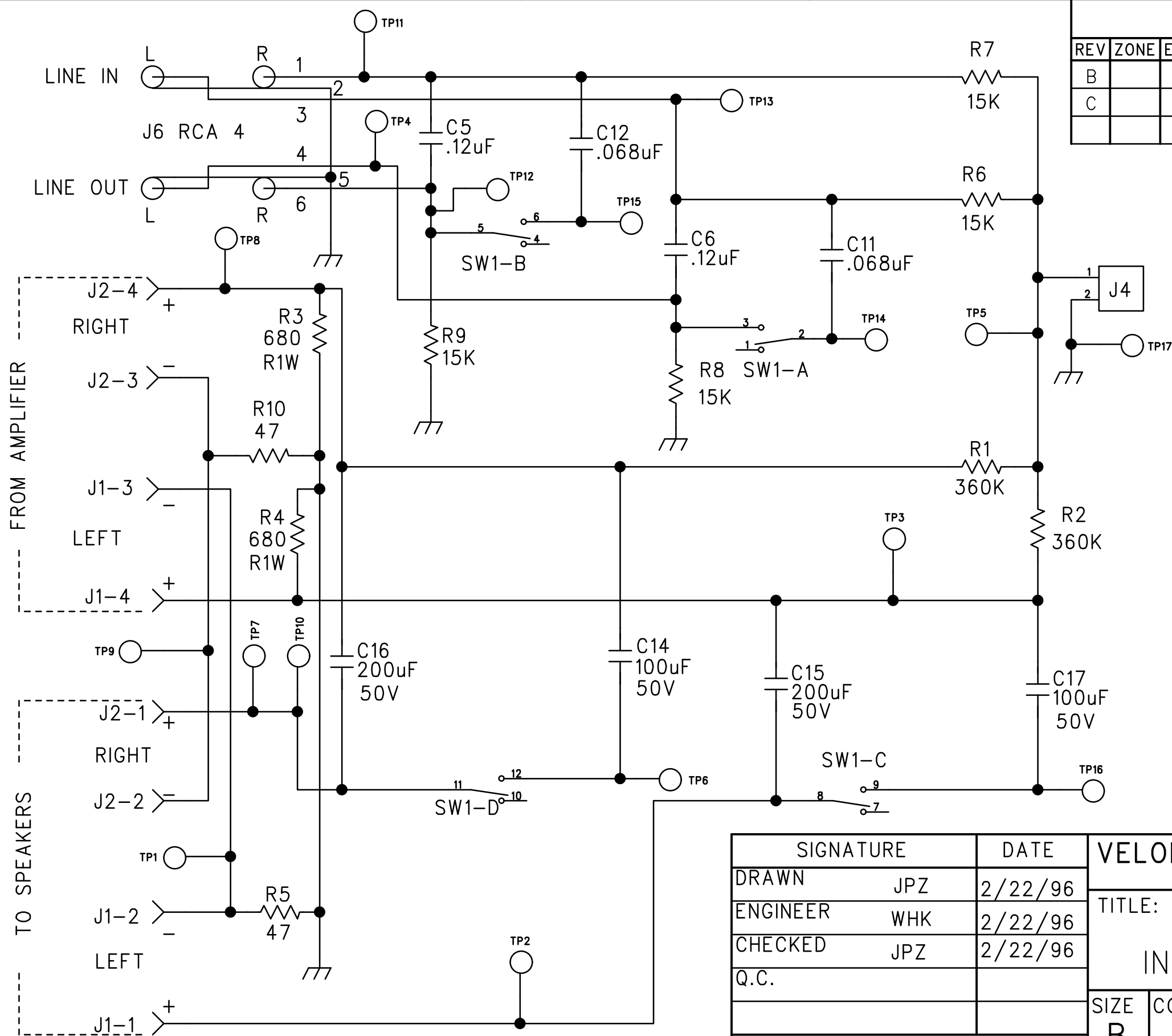
C

B

A

REVISIONS

REV	ZONE	ECO No.	DESCRIPTION	APPROVAL	DATE
B		469	CHG C14 & 17 TO 100UF	WHK	5/9/96
C		497	CHG C5 & C6 TO .12UF	WHK	9/5/96



SIGNATURE	DATE
DRAWN JPZ	2/22/96
ENGINEER WHK	2/22/96
CHECKED JPZ	2/22/96
Q.C.	

VELODYNE		1070 COMMERCIAL ST. #101	
ACOUSTICS, INC.		SAN JOSE, CA 95112	
TITLE: SCHEMATIC			
INPUT BOARD, BINDING POST			
SIZE	CODE IDENT. NO.	DRAWING NO.	REV
B		SM-0017	C